

AURA[®]

OWNER'S

MANUAL

ИНСТРУКЦИЯ ПО

ЭКСПЛУАТАЦИИ

ENG

РУС

MONSTRO-D5000
MONSTRO-D8000

MONO BLOCK AMPLIFIER

WARNING!

PLEASE READ CAREFULLY BEFORE USING

MONSTRO





INTRODUCTION

Congratulations and thank you for purchasing AurA MONSTRO series amplifiers, the logical choice in mobile audio amplification. Your amplifiers have been designed and engineered with the highest quality components and top of the line workmanship to help you reach the superior sound you are after.

To achieve optimal performance of your system, please take a few moments to read over this Owner's manual or visit authorized dealer if needed before starting your installation.

FEATURES

- ◆STABLE INTO 1 OHM LOAD
- ◆HIGH SPEED MOSFET POWER SUPPLY
- ◆0 AWG ADVANCED POWER TERMINALS
- ◆INTELLIGENT AIR COOLING SYSTEM
- ◆REAL TIME VOLTAGE & STATUS DISPLAY
- ◆INTELLIGENT 5-WAY PROTECTION
- ◆VARIABLE SUBSONIC FILTER
- ◆VARIABLE LOW PASS FILTER

ENG

SPECIFICATIONS

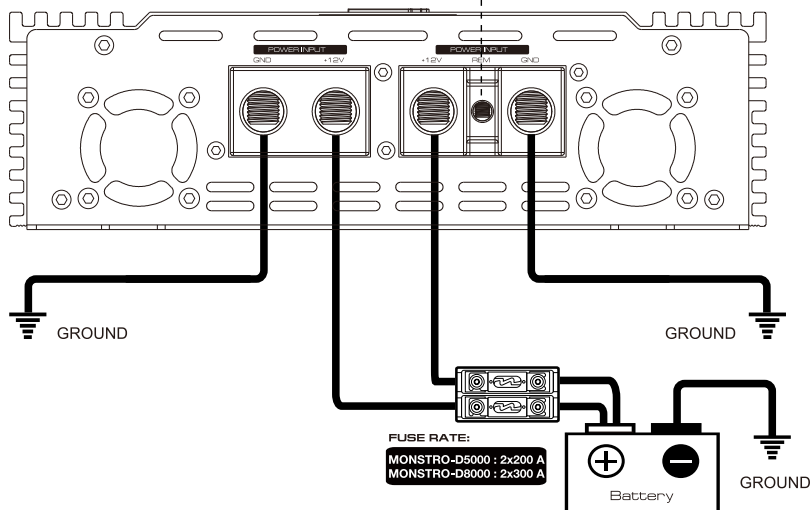
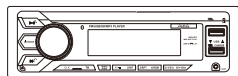
Model	MONSTRO-D5000	MONSTRO-D8000
RMS power @ 4 ohm	2300 x 1	4700 x 1
RMS power @ 2 ohm	3500 x 1	6500 x 1
RMS power @ 1 ohm	5000 x 1	8000 x 1
Minimum load impedance	1	1
Input Sensitivity	0,3 V	0,3 V
High Pass Filter	5 - 50Hz	5 - 50Hz
Low Pass Filter	50 Hz - 15 kHz	50 Hz - 15 kHz
Frequency Response	5 Hz - 15 kHz	5 Hz - 15 kHz
Signal to Noise Ratio	>95 dB	>95 dB
THD @ 4ohm	< 0,3%	< 0,3%
Working voltage	9 V - 15,9 V	9 V - 15,9 V
Dimensions (L inches)	181.1	206.6
9.45 W x 2.68 H inches		

All features are subject to change in the continuing effort to improve the products without notice.



POWER CONNECTION

Head unit



BATT (12V POWER)

Before mounting amplifiers, disconnect the negative cable from the battery to protect any accidental damage to your amplifiers and audio system.

Connect the power cables to power terminal 12V.

All AurA MONSTRO series amplifiers equipped with external fuses.

Connect one end of fuse holder to the power cable going into the amplifiers and the other end of fuse holder to positive battery. This fuse location will protect the system and the vehicle against the possibility of a short circuit in the power cable. Be sure to use fuses and fuse holder adequate for the application.

GND (GROUND)

Locate a secure grounding connection as close to amplifier as possible.

Make sure the location is clean and provides a direct electrical connection to the frame of the vehicle. The ground needs to have as low of a resistance as possible. Connect one end of a short piece of the same size cable as the power cable to the grounding point or to one of your batteries or battery bank. Run the other end of the ground cable to the mounting location of the amplifiers for connection to the amplifiers ground terminals and connect the ground cable to the GND (ground terminal).

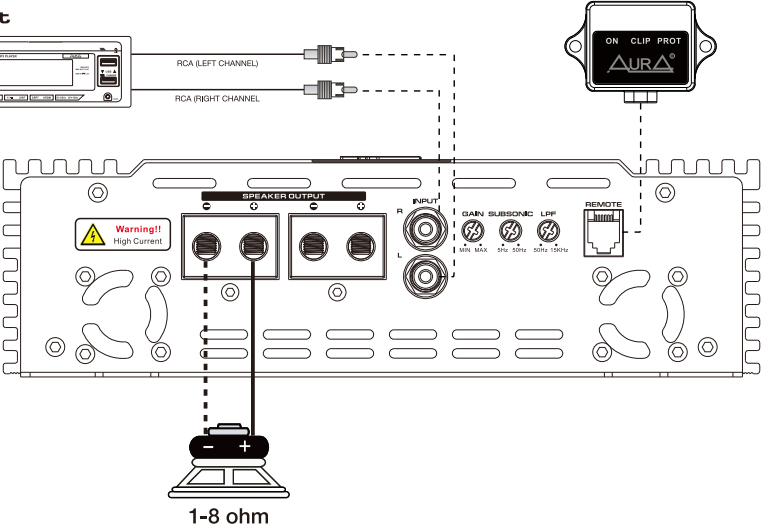
REM (REMOTE)

Run a remote turn on cable from the switched 12V source . This may be a toggle switch, a relay, your source unit's remote trigger cables, or power antenna trigger cable. Connect the remote turn on cable to the REM (remote) terminal.

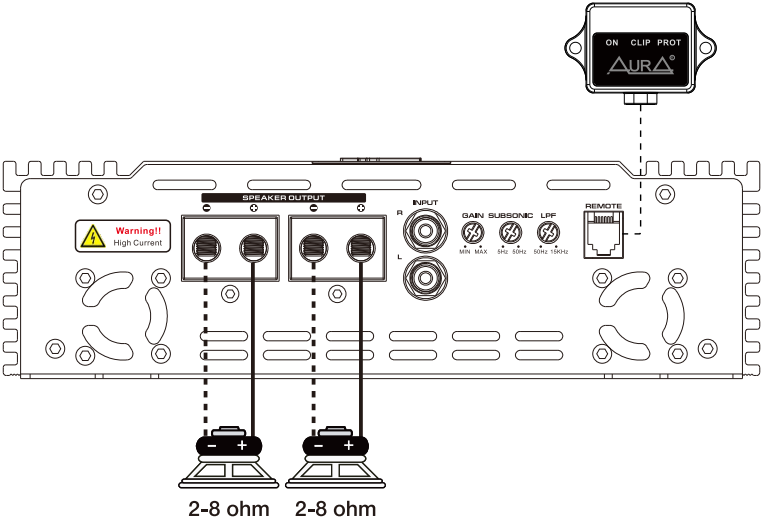


RCA & SPEAKERS INPUT CONNECTION

Head unit



ENG





TROUBLE SHOOTING

- ◆ AurA MONSTRO series amplifiers have protection features to prevent any damages from misuse or faulty conditions.
- ◆ If AurA MONSTRO series amplifiers sense excessive heat, short circuited speakers DC, or voltage the protection indicator will light, and the system will be turned off.
- ◆ In order to check the problem, you should turn all levels down and all power off and carefully check the installation for wiring mistakes or short.
- ◆ If AurA MONSTRO series amplifiers shuts down due to excessive heat, they will be working later when it is cooled down.
- ◆ Before removing your amplifier, refer to the list below and follow the suggested procedures.

NO SOUND (NO OUTPUT)

- ◆ Please check all connections, cables' routing, short & voltage.
- ◆ Please check the fuses. If they are blown, please replace with new one.
- ◆ Please check whether speakers work well, you can test speakers by connecting to another amplifier

ENG

DISTORTION & NOISE

- ◆ Readjust input level and check the speaker quality at another amplifier. Replace poor quality speakers with good quality ones.
- ◆ Check amplifiers and headunit's ground contact. All grounds should be common.
- ◆ Check RCA cable, then replace with new one or reroute RCA cable.
- ◆ Engine noise is caused by poor grounding of amplifiers, headunit, other components, battery or alternator, so please check all grounding connection.

POOR BASS RESPONSE

- ◆ Please check speaker cables and reverse polarity.



MONSTRO



Директива WEEE 2012/19/EU об отходах электрического и электронного оборудования

Отслужившее свой срок электрическое оборудование не следует выбрасывать вместе с остальными бытовыми отходами. Пожалуйста, сдавайте его во вторичную переработку. Для получения необходимой информации обратитесь в местные органы власти.

www.aurael.ru



В связи с непрерывной доработкой и улучшением продукта все технические характеристики могут быть изменены без предварительного уведомления

©2020 AURA Electronics Inc. Все права защищены.